

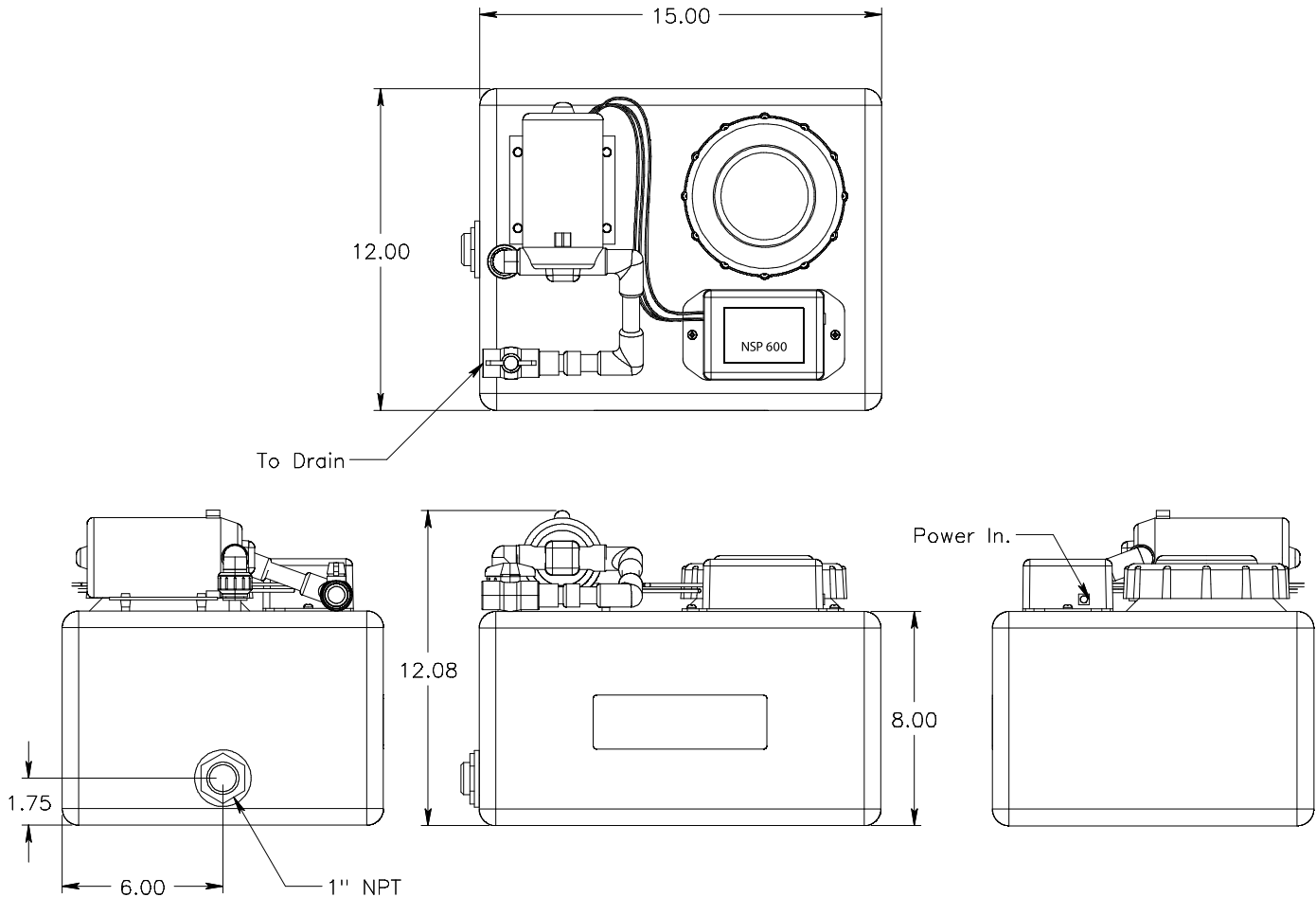


Neutra-Safe® Condensate Neutralizing Pump

NSP-600

Guideline capacity 6,000,000 BTU/h appliance input

Installation, Operation and Maintenance Manual



This combination condensate neutralizer and condensate pump features:

- SHURflo industrial duty diaphragm 12-volt DC pump with integral check valve.
- Pump is capable of flowing more than 1 gallon per minute at 100 feet of head.
- 6 Gallon roto molded tank made of LDPE.
- Large 5" screw off cap for filling and inspection.
- 1" Female NPT inlet.
- 1/2" Female outlet at ball valve.
- UL Listed 12volt DC power supply cord with standard 110-volt AC male plug.
- Shielded float switch.
- 4 -1/4" x 20 threaded inserts on the bottom of the tank for shelf mounting.

Please follow all pertinent instructions in this manual and the manual of the appliance manufacturer which this unit is connected.

⚠ WARNING ⚠

- Neutra-Safe condensate neutralizing pumps should only be installed by a qualified professional.
- Read all instructions before installing. Perform steps in order given. Failure to comply could result in substantial property damage, severe personal injury or death.
- Do not allow flue gases to vent through condensate neutralizing pump. All condensate drain lines must have a gas trap before entering the condensate neutralizing pump unit, Failure to comply could result in substantial property damage, personal injury or death.
- Neutra-Safe condensate neutralizing pumps should only be connected to a condensate outlet that is installed per the appliance manufacturer's instructions. Failure to comply could result in substantial property damage, personal injury or death.

IMPORTANT

- All piping should be in accordance with relevant building, mechanical and plumbing codes, as well as any local, state and federal regulations.
- Multiple condensing appliances with a total BTU/h input capacity not to exceed 6,000,000 can be connected to the NSP-600.
- Neutrasafe condensate neutralizing pump should be installed in a level position below all traps and outlets.
- All condensate traps should be primed before commencing operation of the unit.
- Neutra-Safe condensate neutralizing pump media should be replaced at least annually or when outlet pH falls below desired level.
- Neutra-Safe condensate neutralizing pumps should not be installed outdoors without proper freeze and UV protection.

MOUNTING OPTIONS

- It is recommended that the Neutra-Safe condensate neutralizing pump be installed as close as possible to the appliance outlet.
- Condensate neutralizing pump must be mounted on a level surface capable of supporting the weight of the unit when full of media and condensate.

INSTALLATION

1. Inlet piping should be connected to the 1" female NPT inlet using only PVC fitting with Teflon tape. Do not overtighten.
2. The top of the pump must be lower than the outlet of the appliance.
3. When installing media be careful not to allow media to come in contact with the float switch or the shield surrounding the float.
4. Pump has a built-in check valve.
5. Connect only PVC fittings to 1/2" NPT ball valve at outlet. Use only Teflon tape for all pump connections
6. Fill condensate neutralizing pump with water to verify proper operation.

MAINTENANCE

1. All service should be undertaken by a qualified professional.
2. Visually inspect unit for signs of leaking or damage.
3. Neutralizing pump media should be replaced at least annually or when outlet pH falls below desired level.
4. Recharge #6TKRCK-S for use with model #NSP-600.

LIMITED WARRANTY

- All Neutra-Safe products are warranted against defects in materials and workmanship for **ONE YEAR**. The warranty does NOT cover issues that result from misuse, improper installation, and/or failure to replace the media.