



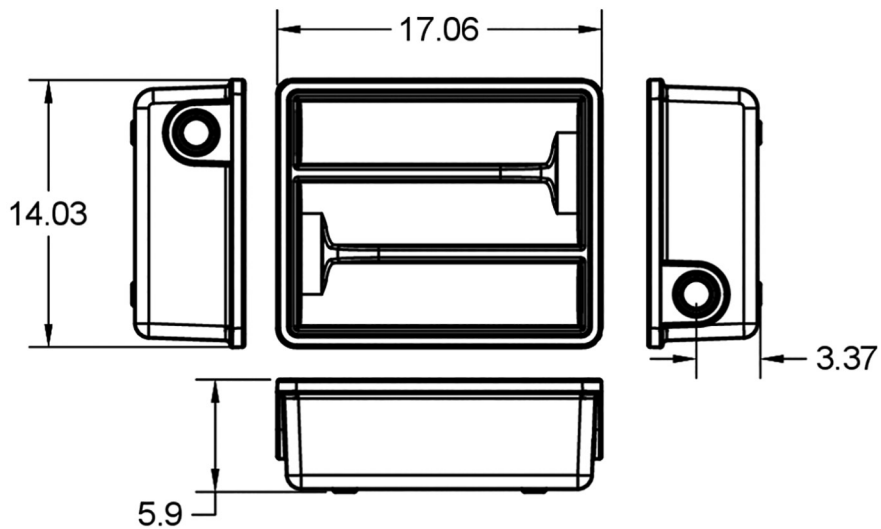
Submittal Data

Model CN5TR

Job: _____ Engineer: _____

Contractor: _____ Rep: _____

DESCRIPTION	PART #	INCLUDED
5000 MBH Tray Model	CN5TR	Serpentine double wall, low profile polyethylene tank 1" NPT tapings 3 Neutra-pH Media Sacks Clear PTEG Cover for visual inspection
5000 MBH Recharge Kit	5TRRCK-S	3 Sacks of Neutra-pH Media



All dimensions are in inches $\pm 1/8''$