

Neutra-Safe® Vertical Condensate Neutralizer

Installation, Operation and Maintenance Manual



CN2-220V



CN2-220VK

⚠ WARNING

- Neutra-Safe condensate neutralizers should only be installed by a qualified professional.
- Read all instructions before installing. Perform steps in the order given. Failure to comply could result in substantial property damage, severe personal injury, or death.
- Do not allow flue gases to vent through condensate neutralizer. All condensate drain lines must have a gas trap before entering the neutralization unit. Failure to comply could result in substantial property damage, severe personal injury or death.
- Neutra-Safe neutralizers should only be connected to a condensate outlet that is installed per the appliance manufacturer's instructions. Failure to comply could result in substantial property damage, severe personal injury, or death.

MOUNTING OPTIONS

- It is recommended that Neutra-Safe condensate neutralizers be installed as close as possible to the outlet of the gas trap. **Refer to Fig. 1 for proper piping layout.**
- Use snap in brackets provided for mounting neutralizer.

IMPORTANT

- All piping should be in accordance with relevant building and mechanical codes, as well as any local, state or federal regulations.
- Do not connect more than one appliance to each neutralizer.
- Neutralizer should be installed below all traps and condensate outlets.
- Do not use pipe dope on threaded fittings - use only Teflon tape. Neutra-Safe Model CN2-220V may be installed in the vertical or horizontal position. For horizontal installations, refer to Neutrasafe IOM Rev8 available on the Documentation page of the website at www.neutrasafe.com.
- All piping should be in accordance with relevant building and mechanical codes, as well as any local, state or federal regulations.
- Do not connect more than one appliance to each neutralizer.
- Neutralizer should be installed below all traps and condensate outlets.
- It is recommended that the neutralizer be installed before the condensate pump.
- All condensate traps should be primed before commencing operation of the appliance.
- Neutra-Safe condensate neutralizer media should be replaced at least once a year or when pH falls below local regulations.

INSTALLATION

1. Neutra-Safe condensate neutralizers include built-in unions with 1/2" NPT tappings at either end.
 2. If using PVC pipe, apply Teflon tape to the threads of provided PVC socket adaptors and attach to neutralizer. **Do not over tighten.**
 3. Identify suitable location for assembled condensate neutralizer. **Observe direction of flow as indicated on neutralizer.**
 4. Position and secure the mounting brackets
 5. Prime and glue PVC pipe to fittings.
Note: If using flexible tubing, be sure to use hose clamps at barb fittings.
- Note:** It is recommended that PVC pipe be used wherever possible as this will reduce any risk of tube kinking. Neutra-Safe provides two 1/2" M NPT x 3/4" PVC socket adaptors for this purpose
6. Route PVC pipe or tubing to drain or pump, maintaining a pitch of 1/4" per foot.
 7. Fill condensate trap with water until flow is established through neutralizer.
 8. Observe neutralizer during boiler operation to ensure unrestricted condensate flow.

NOTE: Caution: Do not lose the O-rings at either end of cartridge.

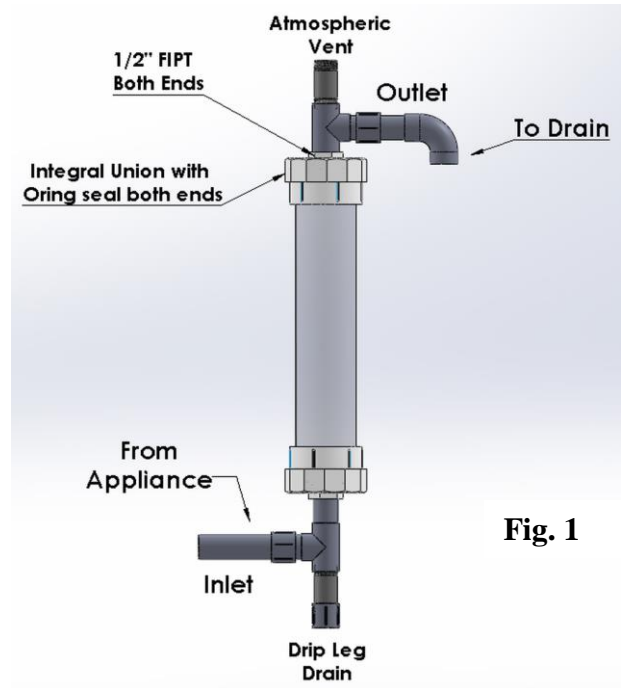


Fig. 1

MAINTENANCE

1. All service items should be undertaken by a qualified professional.
2. Visually inspect unit for signs of leaking or damage.
3. Neutralizer media should be replaced at least once a year or when pH falls below local regulations. Neutralizer efficiency can only be determined by measuring pH level of condensate outflow.
4. Unscrew unions at both ends of neutralizer. If necessary, rotate cartridge to release O-ring.
5. Remove cartridge and dispose of old media. Rinse inside of cartridge. Add replacement media. **Replacement media kit #22RCK-S**
6. Check to make sure that O-rings are in place before reinstalling cartridge. Stainless steel screen must be on bottom end of cartridge when reinstalling. **Do not over-tighten.**
7. Prime flue gas trap with a minimum of 1 gallon of water.
8. Observe neutralizer during boiler operation to ensure unrestricted condensate flow.

